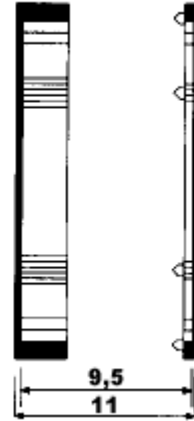
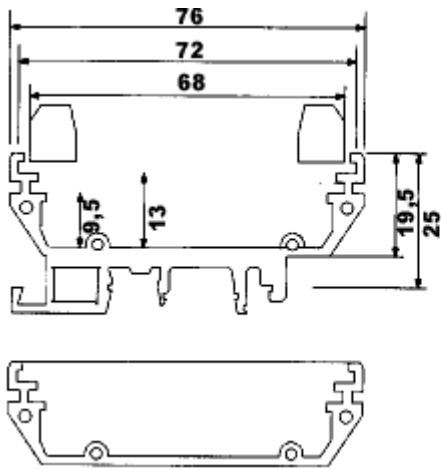
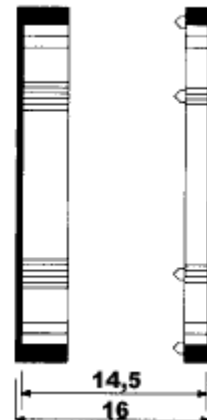
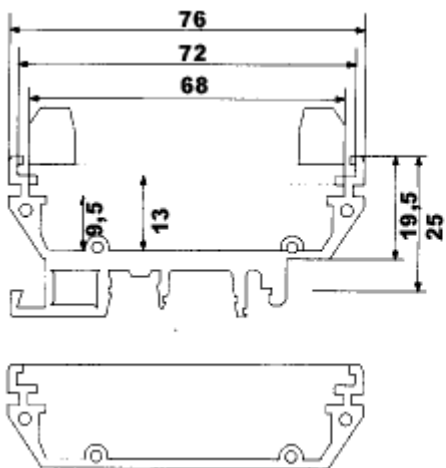


Two-width patented modular housing single relays or photo-coupler, available in mm11,5 and 16,5 mm length, basing on the same left side and on two different right sides. The overall width is compatible with MINI interfaces, but the rail foot is moulded in the left side.

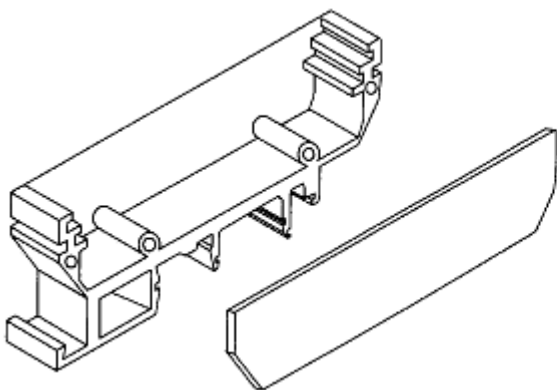
**RS2**



**RS3**



**RS2**



**RS3**

