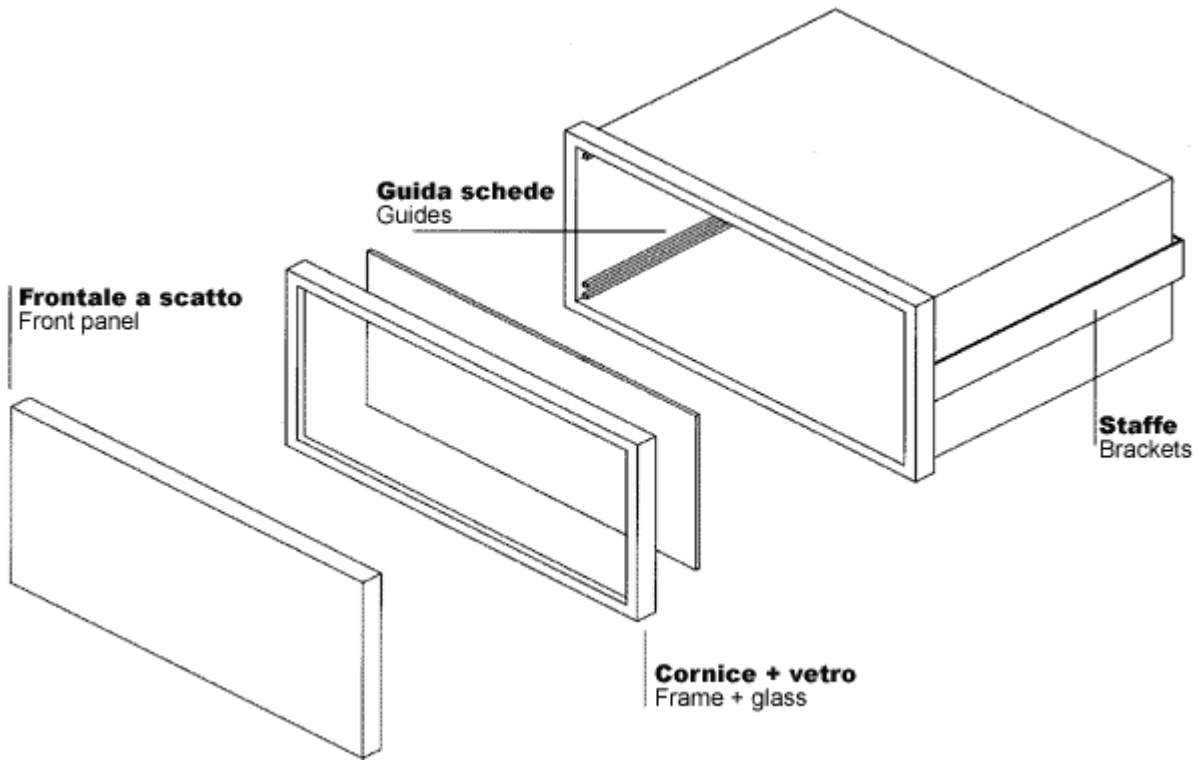
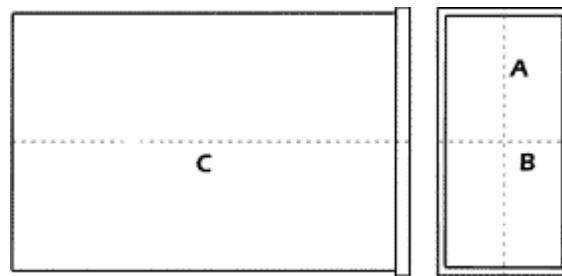


SERIE REB



External and mounting dimensions are acc. to DIN Norms. The front panel is available in red or clear Polycarbonate, while the housing and the front frame are in black polycarbonate. The mounting brackets are in metal. The back of the housing has a series of holes for connections. Delivered complete of screws and accessories.



COD	A	B	C
072024B	72	24	72
072036B	72	36	72
096024B	96	24	72
096048B	96	48	72
096048A	96	48	138
144048B	144	48	72
144048A	144	48	138

ON REQUEST

Aluminium front panel - Custom front panel with Customer logo

Print

Close